



Solarflare SFN7x42Q network adapters

Quick Start Guide

Flareon™ Ultra Dual-Port 40GbE QSFP+ PCIe 3.0 Server I/O Adapter
Part numbers: SFN7042Q and SFN7142Q

Information in this document is subject to change without notice.

© 2018 Solarflare Communications Inc. All rights reserved.

Trademarks used in this text are registered trademarks of Solarflare Communications Inc. Microsoft and Windows are registered trademarks of Microsoft Corporation. Linux® is the registered trademark of Linus Torvalds in the U.S. and other countries. Other trademarks and trade names may be used in this document to refer to either the entities claiming the marks and names or their products. Solarflare Communications Inc. disclaims any proprietary interest in trademarks and trade names other than its own.

A list of patents associated with this product is at <http://www.solarflare.com/patent>

SF-119953-CD

Issue 2

1.1 Overview

The Solarflare Flareon™ SFN7000 series dual-port QSFP+ server I/O adapters combine precision time synchronization, hardware timestamping and network server security with ultra low latency 10G/40G Ethernet. Flareon™ adapters with AppFlex™ technology provide a flexible platform to deliver specific on-board services with a single server adapter.



To learn more about AppFlex technology licensing, visit <http://www.solarflare.com/my-appflex>

User Guide

For comprehensive installation instructions, configuration and performance tuning guides and user guides for all AppFlex products please consult the *Solarflare Server Adapter User Guide*.



The Solarflare User Guide can be downloaded from <https://support.solarflare.com>

Drivers

Solarflare server adapters support the following OS distributions; Linux RHEL6, 7 and MRG, SLES11, 12 and SLERT, Ubuntu 14.04, 14.10 and 15.04, Debian 7.0 and 8.0, Linux KVM, VMware ESXi 5.5 and 6.x, Windows Server 2008 R2 and later versions.



Drivers can be downloaded from <https://support.solarflare.com>

Onload

Solarflare server adapters also support Onload – a ‘kernel bypass’ accelerated user-level TCP/IP network stack, providing extremely low latency. Onload links with the application using the standard POSIX BSD sockets API, meaning no modifications are required to the application being accelerated. Onload is enabled via AppFlex licensing.



To learn more about Onload please visit <http://www.openonload.org>

Precision Time Protocol

Flareon™ Ultra adapters are equipped with a Stratum 3 oscillator to support hardware timestamping of PTP packets and server synchronization. Solarflare’s Enhanced PTP is enabled via AppFlex licensing, and can synchronize multiple adapters to a PTP source.



Solarflare’s Enhanced PTP daemon is available from <https://support.solarflare.com>

CSS and SCP Solution Paks

Capture SolarSystem [CSS] and SolarCapture Pro [SCP] solution paks are pre-configured, performance-optimized, appliance products for packet capture. Solution Paks comprise the following elements:

- SFN7142Q adapter [CSS/SCP]
 - ports on the adapter are pre-configured in 4 x 10G mode [CSS/SCP]
 - adapter firmware is optimized for packet capture [CSS/SCP]
- AppFlex Capture SolarSystem activation key - factory installed [CSS]
- AppFlex SolarCapture Pro activation key - factory installed [CSS/SCP]
- AppFlex PTP/HW timestamping activation key - factory installed [CSS/SCP]
- AppFlex Onload activation key – factory installed [CSS/SCP].

Solarflare adapters covered by this guide

The following table lists the Solarflare SFN7000 series QSFP+ server adapters that are covered by this *Quick Start Guide*:

Part number	Adapter	PTP HW timestamps SolarCapture Pro	Onload support	Regulatory product code
SFN7042Q	Flareon™	via user upgrade ¹	via user upgrade ¹	SR200
SFN7142Q	Flareon™ Ultra	via user upgrade ¹	Yes	SR200

1. User upgradable features can be enabled when the user installs an AppFlex™ activation key.

Support

If you have any questions on your Solarflare products please contact your sales representative or contact Solarflare.



For support on Solarflare products please email support@solarflare.com

Limited warranty

Before using any of the Products, Purchaser shall determine the suitability of the Products for Purchaser’s intended use by considering such factors as overall product design and the processing and environmental conditions to which the Products will be subjected. Solarflare warrants solely to Purchaser, for a period of 3 years from the date a Product is delivered to Purchaser (the “Warranty Period”), that the Product will conform in all material respects to Solarflare’s published specifications for such Product in effect as of the date of purchase (the “Limited Warranty”).



To view the whole warranty, visit http://www.solarflare.com/Media/Default/PDFs/Support/Solarflare_3yrWarranty_ServerAdapters.pdf

1.2 Installing the adapter

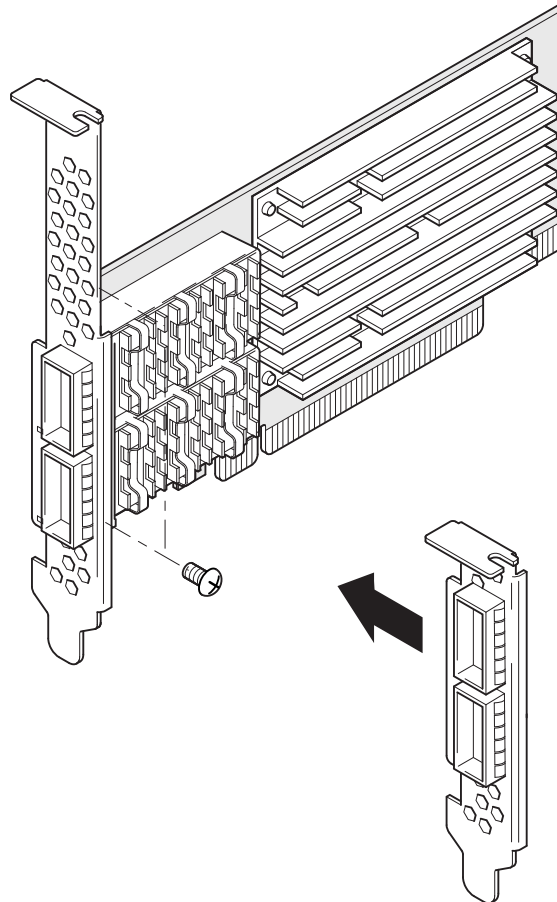
Solarflare SFN7x42Q server adapters are compatible with Intel and AMD x86 PCs with 8-lane or 16-lane PCIe 3.0 (8GT/s), PCIe 2.0 (5GT/s) or PCIe 1.x (2.5GT/s) slots.



CAUTION: Servers contain high voltage electrical components. Before removing the server cover, disconnect the mains power supply to avoid the risk of electrocution. Before handling computer components, discharge static electricity from yourself by touching a metal surface, or wear a correctly fitted anti-static wrist band.

Fitting the bracket

Solarflare SFN7x42Q adapters are fitted with a full-height bracket. A low-profile bracket is also supplied for PCI Express slots that require this type of bracket.



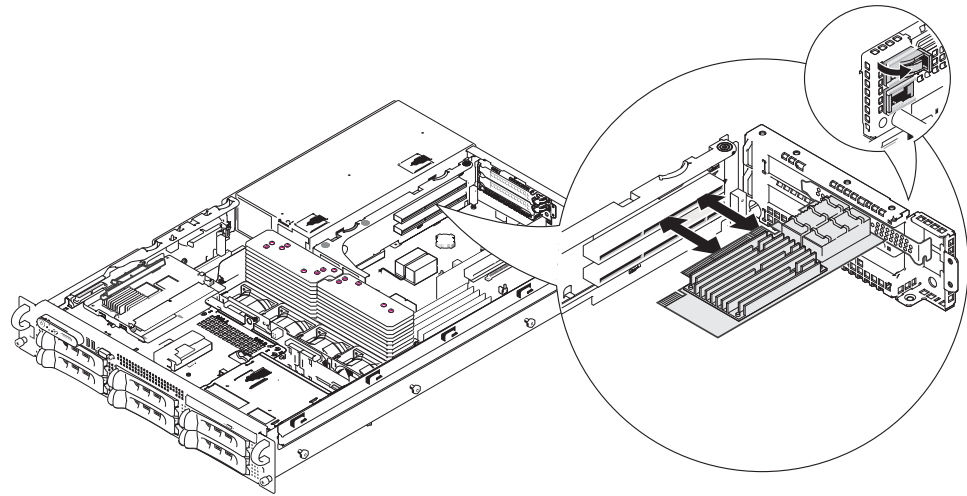
An optional 1PPS bracket and cable assembly, Solarflare part number SOLR-PPS-DP40G, is available for Solarflare dual-port QSFP+ server adapters. For detailed fitting instructions, refer to the *Solarflare Server Adapter User Guide*.

Inserting the adapter in a PCI Express slot



NOTE: The Solarflare SFN7x24F server adapter requires an 8-lane or 16-lane PCI Express slot. For maximum performance the adapter should be installed in a PCIe 3.0 slot, but is compatible with PCIe 2.0 or PCIe 1.x.

Shut down the server and unplug it from its power source. Remove the server cover to access the PCI Express slots in the server. Locate an 8-lane or 16-lane PCI Express slot (refer to the server manual if necessary) and insert the Solarflare server adapter. Secure the adapter bracket in the slot.



CAUTION: The SFN7x24F adapter must have sufficient air flow cooling during normal operation. When the temperature is measured at 50° celsius 2.5 cm from the heatsink surface, the minimum air flow required is 300 LFM. **Server cooling fans must be fully operative to prevent damage to the adapter.**

Cables and transceivers

Solarflare QSFP+ server adapters support a wide range of QSFP+ direct attach cables, 40G BASE-SR4 and 10G BASE-SR optical transceivers and QSA (QSFP+ to SFP+) adapters.

- When using a QSA module, the adapter must have firmware version v4.4.2.1011 or later.
- Users are advised to discard the manufacturer supplied QSA module *Quickstart Guide* documentation. QSA modules are available from a number of manufacturers.
- Users must ensure that QSA adapters are correctly inserted into the adapter QSFP+ cages and SFP+ modules are correctly inserted into the QSA adapters.



For a full list of supported cables and transceivers visit <http://www.solarflare.com/Transceivers-and-Cables>

1.3 Warnings

Changes or modifications not expressly approved by Solarflare Communications Inc., the party responsible for FCC compliance, could void the user's authority to operate the equipment.

This Class B digital apparatus complies with Canadian ICES-003.

Cet appareil numérique de la classe B est conforme à la norme NMB-003 du Canada.

Underwriters Laboratory Inc ('UL') has not tested the performance or reliability of the security or signaling aspects of this product. UL has only tested for fire, shock or casualty hazards as outlined in the UL's Standard for Safety UL 60950-1. **UL Certification does not cover the performance or reliability of the security or signaling aspects of this product. UL makes no representations, warranties or certifications whatsoever regarding the performance or reliability of any security or signaling related functions of this product.**

The laser safety of this product has been verified using the following certified laser device module (LDM). Refer to the manufacturer documentation for test certification details:

Manufacturer	Model
Finisar Corporation	FTL410QE2C-SL
Lumentum Operations	JQPR04SRAB1SF

When installed in a 40Gb Ethernet network interface card from the Solarflare SFN7000 series, the laser emission levels remain under Class I limits as specified in the FDA regulations for lasers, 21 CFR Part 1040.

The decision on what LDMs to use is made by the installer. For example, equipment may use one of a multiple of different LDMs depending on path length of the laser communication signal. This equipment is not basic consumer ITE.

This equipment is installed and maintained by qualified staff from the end user communications company or subcontractor of the end user organization. The end product user and/or installer are solely responsible for ensuring that the correct devices are utilized in the equipment and the equipment with LDMs installed complies with applicable laser safety requirements.

Do not install this product in hazardous areas where highly combustible or explosive products are stored or used without taking additional safety precautions. Do not expose this product to rain or moisture. This Class III SELV product is intended only to be powered by a certified limited power source.

NOTE: This equipment has been tested and found to comply with the limits for a Class B digital device, pursuant to Part 15 of the FCC Rules. These limits are designed to provide reasonable protection against harmful interference in a residential installation. This equipment generates, uses, and can radiate radio frequency energy and, if not installed and used in accordance with the instructions, may cause harmful interference to radio communications. However, there is no guarantee that

interference will not occur in a particular installation. If this equipment does cause harmful interference to radio or television reception, which can be determined by turning the equipment off and on, the user is encouraged to try to correct the interference by one or more of the following measures:

- Reorient or relocate the receiving antenna.
- Increase the separation between the equipment and receiver.
- Connect the equipment into an outlet on a circuit different from that to which the receiver is connected.
- Consult the dealer or an experienced radio/TV technician for help.

この装置は、クラス B 情報技術装置です。この装置は、家庭環境で使用することを目的としていますが、この装置がラジオやテレビジョン受信機に近接して使用されると、受信障害を引き起こすことがあります。取扱説明書に従って正しい取り扱いをして下さい。 VCCI-B

警告用戶：

這是一個 B 類 產品，在居住環境中使用時可能會導致無線電干擾，在這種情況下，用戶可能需要採取適當的措施。

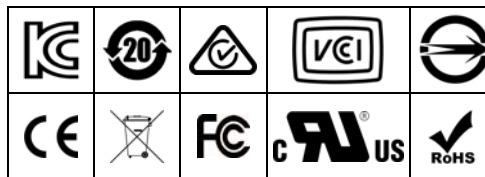
B 급 기기 (가정용 방송통신기기): 이 기기는 가정용 (B 급) 으로 전자파적합등록을 한 기기로서 주로 가정에서 사용하는 것을 목적으로 하며, 모든 지역에서 사용할 수 있습니다 .

1.4 Regulatory approval

This adapter has the following regulatory approval:

Category	Specification	Details
EMC	Europe	BS EN 55022:2010
		BS EN 55024:2010
	US	FCC CFR 47 Part 15 Class B
	Canada	ICES 003/NMB-003 Class B
	Taiwan	CNS 13438:2006 Class B
	Japan	VCCI Regulations V-3:2010 Class B
	South Korea	KCC KN-22, KN-24
	Australia	AS/NZS CISPR 22:2009 +A1:2010
	Safety ¹	Europe
US		
Canada		CSA C22.2 60950-1-07 2nd Ed.
CB		IEC 60950-1:2005 2nd Ed.+AMI:2009 +AM2:2013
RoHS		Europe

- The safety assessment has been concluded on this product as a component /sub-assembly only.



1.5 Solarflare Boot Manager

The Solarflare Boot Manager is installed in the adapter's flash memory. This program is free software; you can redistribute it and/or modify it under the terms of the GNU General Public License as published by the Free Software Foundation. This program is distributed in the hope that it will be useful, but WITHOUT ANY WARRANTY; without even the implied warranty of MERCHANTABILITY or FITNESS FOR A PARTICULAR PURPOSE. See the GNU General Public License for more details. Either the latest or an earlier version of the source code for the Solarflare Boot Manager can be requested by sending an e-mail to support@solarflare.com.